

# Symphony™ ice and water dispenser with Chewblet ice machine

25 & 50 CI series countertop



## Features

25 or 50 lb (11 or 23 kg) ice storage capacity

Counter-height removable air or water-cooled ice machine with up to 400 lb (181 kg) daily production of popular Chewblet® ice

- modular ice machine slides out from behind lower front panel
- soft, chewable, compressed nugget ice is preferred over cubes<sup>1</sup> and is ideal for patient care
- environmentally responsible R404a refrigerant with zero ozone depletion potential
- water and energy efficient
- stainless steel evaporator and auger
- quiet production without noisy harvest cycles

Durable, attractive dispenser

- stainless steel exterior with accent trim
- smooth contours for aesthetically appealing appearance
- corrosion-resistant poly drain pan and dispenser lid

Designed with sanitation in mind

- Agion® silver-based antimicrobial product protection of key ice and water contact components<sup>2</sup>
- one-hand lever or SensorSAFE™ infrared ice dispense reduces the chance of cross-contamination
- SensorSAFE not recommended for use with clear containers or for applications in direct sunlight

Installation

- comes fully assembled
- three easy connections – electric, water and drain

SensorSAFE infrared dispense option



Ice and water dispensers				
Ice storage capacity	Dispense	Ice machine cooling	Voltage	Item number
<b>25 lb (11 kg)</b>	lever	air	115 V/60 Hz	<b>25CI400A-L</b>
		water	115 V/60 Hz	<b>25CI400W-L</b>
	SensorSAFE	air	115 V/60 Hz	<b>25CI400A-S</b>
		water	115 V/60 Hz	<b>25CI400W-S</b>
<b>50 lb (23 kg)</b>	lever	air	115 V/60 Hz	<b>50CI400A-L</b>
		water	115 V/60 Hz	<b>50CI400W-L</b>
	SensorSAFE	air	115 V/60 Hz	<b>50CI400A-S</b>
		water	115 V/60 Hz	<b>50CI400W-S</b>

Ice-only available, add -SI or -LI – Example 25CI400A-LI

## Accessories

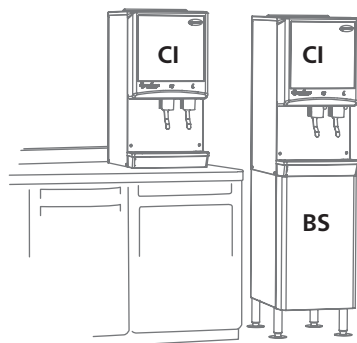
**BS** – Base stand (item# AF50BASESTD)

Water filter kit (item# 00130229)

High capacity water filter kit (item# 00978957)

4" (10 cm) leg kit (item# 00188417)

SafeCLEAN™ environmentally responsible ice machine cleaner (item# 00132001)

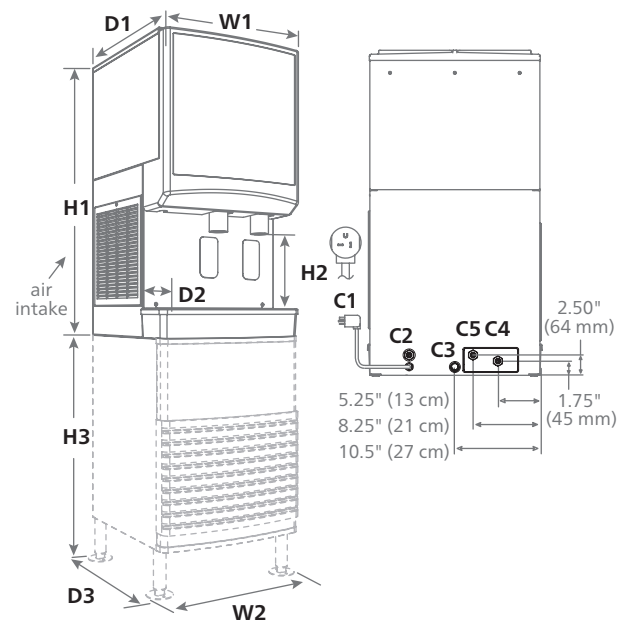


## Specification

Ice storage capacity	25 Series – 25 lbs (11 kg), 50 Series – 50 lbs (23 kg)
<b>W1</b> Width	21" (53 cm)
<b>W2</b> Width, base stand accessory	22.75" (58 cm)
<b>D1</b> Depth	24" (61 cm)
<b>D2</b> Depth, drain pan	7" (18 cm)
<b>D3</b> Depth, base stand accessory	24.375" (62 cm)
<b>H1</b> Height	25 Series – 36" (92 cm), 50 Series – 40" (102 cm)
<b>H2</b> Dispense height clearance	10.5" (27 cm)
<b>H3</b> Height, base stand	33" (84 cm)
Ventilation clearance	air-cooled models only – 3" (76 mm) all sides
Service clearance	6" (15 cm) left side water-cooled units – 12" (30 cm) top
<b>C1</b> Electrical 115 V, 60 Hz	115 V, 60 Hz – 1 phase, 13 amps, max. fuse 20 amps. 7' (2.1 m) cord, NEMA 5-20 90° hospital-grade plug. If local code requires hard-wiring, separate disconnects also required.
<b>C2</b> Water inlet	3/8" FPT
<b>C3</b> Drain	3/4" FPT
Utility connection location	back or bottom
Water-cooled model connections	<b>C4</b> –3/8" FPT condenser inlet, <b>C5</b> –3/8" FPT condenser drain
Air temperature	50 - 100 F (10 - 38 C) indoor use only
Water temperature	40 - 90 F (4 - 32 C)
Water pressure	10 - 70 psi (69 - 483 kpa)
Ice production at 70 F (21 C) ambient air, 50 F (10 C) inlet water	air-cooled – 395 lbs (180 kg), water-cooled – 425 lbs (193 kg)
Ice production at 90 F (32 C) ambient air, 70 F (21 C) inlet water	air-cooled – 300 lbs (137 kg), water-cooled – 345 lbs (156 kg)
Energy consumption 90 F (32 C) air, 70 F (21 C) water	air-cooled models – 5.7 kWh, water-cooled models – 5.5 kWh per 100 lbs (45.4 kg) ice
Heat rejection	air-cooled models – 5000 BTU/hr, water-cooled models – 1400 BTU/hr to air, 3600 BTU/hr to water
Water consumption	12.6 gal (47.7 L) of potable water per 100 lbs (45.4 kg) of ice
Water flow requirement for water- cooled models	50 F / 10 C water – 60 gallons/ 100 lbs of ice (276 L/ 45.4 kg)
Approximate ship weight	255 lbs (116 kg)
NOTE: For indoor use only	

SHORT FORM SPECIFICATION: (Choose one) \_\_\_ Ice and water or \_\_\_ ice-only dispenser to be Follett automatic load in countertop configuration, with \_\_\_ 25 lbs (11 kg) or \_\_\_ 50 lbs (22 kg) of storage. Environmentally responsible R404a ice machine to be (choose one) \_\_\_ air- or \_\_\_ water-cooled and to be removable for cleaning and maintenance. Dispenser frame and cabinet to be stainless steel with plastic trim. Ice machine to produce approximately 400 lbs (181 kg) of Chewblet compressed nugget ice at air temp. of 70 F (21 C), water temp. of 50 F (10 C). Ice machine to be equipped with printed circuit board and diagnostics to allow simplified servicing. Dispenser to have automatic bin level control to start and stop ice machine and lightweight plastic top that allows full access to the ice storage area for easy cleaning and manual loading of back-up ice. Storage area to be insulated with non-CFC, high density, foamed-in-place polyurethane. 7' (2.1 m) cord and NEMA 5-20 90° hospital-grade plug provided. Dispenser to be NSF and ETL listed.

## Dimensional drawing



See dispenser detail sheet form# 2075 for counter cut outs

Agion is a registered trademark of Sciessent LLC.

- 1 Independent third party studies. Contact Follett for details.
- 2 Disclaimer: Antimicrobial protection is limited to the treated components and does not treat water or ice.

Symphony, SensorSAFE and SafeCLEAN are trademarks of Follett Corporation.

Chewblet and Follett are registered trademarks of Follett Corporation, registered in the US.

Follett reserves the right to change specifications at any time without obligation. Certifications may vary depending on country of origin.