



# Symphony™ ice and water dispenser with Chewblet ice machine

12 CI series countertop



## Features

Narrow, 16" (41 cm) width

12 lb (5.4 kg) ice storage capacity

Integral air-cooled ice machine with up to 400 lb (181 kg) daily production of popular Chewblet® ice

- soft, chewable, compressed nugget ice is preferred over cubes<sup>1</sup> and is ideal for patient care
- environmentally responsible R404a refrigerant with zero ozone depletion potential
- water and energy efficient
- stainless steel evaporator and auger
- quiet production without noisy harvest cycles
- slide-out electrical box with diagnostic circuit board

Durable, attractive dispenser

- stainless steel exterior with accent trim
- smooth contours for aesthetically appealing appearance
- corrosion-resistant poly drain pan and dispenser lid

Designed with sanitation in mind

- Agion® silver-based antimicrobial product protection of key ice and water contact components<sup>2</sup>
- one-hand lever or SensorSAFE™ infrared ice dispense reduces the chance of cross-contamination
- SensorSAFE not recommended for use with clear containers or for applications in direct sunlight

Installation

- comes fully assembled
- 

SensorSAFE infrared dispense (optional)



Ice and water dispensers				
Ice storage capacity	Dispense	Ice machine cooling	Voltage	Item number
<b>12 lb (5.4 kg)</b>	lever	air	115 V/60 Hz	<b>12CI400A-L</b>
			220 V/60 Hz	<b>C12CI400A-L</b>
			230 V/50 Hz	<b>E12CI400A-L</b>
	SensorSAFE	air	115 V/60 Hz	<b>12CI400A-S</b>
			220 V/60 Hz	<b>C12CI400A-S</b>
			230 V/50 Hz	<b>E12CI400A-S</b>

Ice-only available, add -SI or -LI – Example 12CI400A-LI

## Accessories

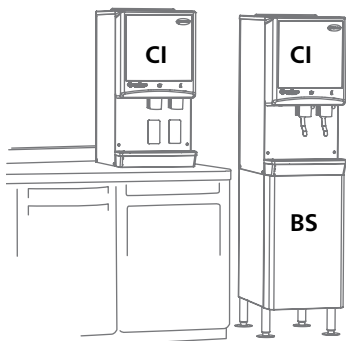
**BS** – Base stand (item# AF12CABINET)

Water filter kit (item# 00130229)

High capacity water filter kit (item# 00978957)

4" (10 cm) leg kit (item# AF10LBLEGS)

SafeCLEAN™ environmentally responsible ice machine cleaner (item# 00132001)



Job

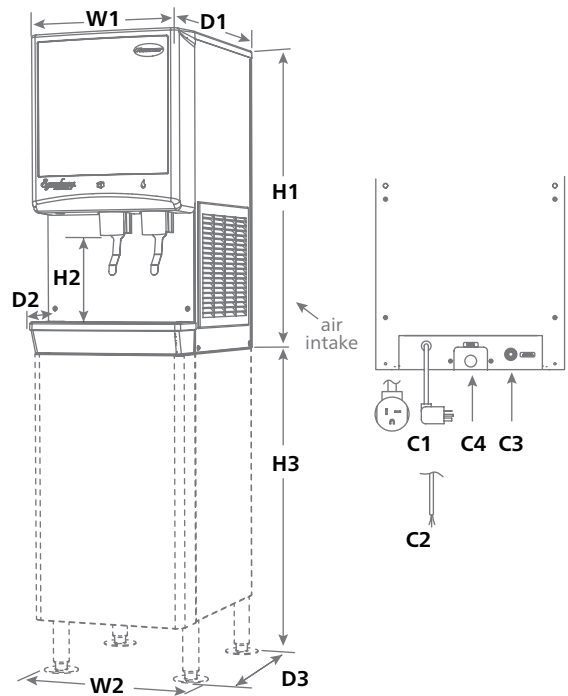
Item

## Specification

Ice storage capacity	12 lbs (5.4 kg)
<b>W1</b> Width	16.125" (41 cm)
<b>D1</b> Depth, dispenser	23.5" (60 cm)
<b>D2</b> Depth, drain pan	5.5" (14 cm)
<b>D3</b> Depth, base stand accessory	22" (56 cm)
<b>H1</b> Height, dispenser	32.5" (83 cm)
<b>H2</b> Dispense height clearance	9.3" (24 cm)
<b>H3</b> Height, base stand accessory	33" (84 cm)
Ventilation clearance	6" (15 cm) top and right side
Service clearance	12" (30 cm) top
<b>C1</b> Electrical	115 V, 60 Hz – 1 phase, 13 amps, max. fuse 20 amps. 8.5' (2.6 m) cord w/ NEMA 5-20 90° hospital-grade plug. If local code requires hard-wiring, separate disconnects also required.
<b>C2</b> Electrical	220 V, 60 Hz or 230 V, 50 Hz – 1 phase, 6.5 amps. 8.5' (2.6 m) cord only. Wire in accordance with local codes.
<b>C3</b> Water inlet	3/8" FPT (230 V, 50 Hz and 220 V, 60 Hz models include kit to connect to BSP water fittings)
<b>C4</b> Drain	3/4" FPT
Utility connection location	through back or bottom
Air temperature	50 - 100 F (10 - 38 C)
Water temperature	40 - 90 F (4 - 32 C)
Water pressure	10 - 70 psi (69 - 483 kpa)
Ice production at 70 F (21 C) ambient air, 50 F (10 C) inlet water	417 lbs (189 kg)
Ice production at 90 F (32 C) ambient air, 70 F (21 C) inlet water	280 lbs (127 kg)
Energy consumption 90 F (32 C) air, 70 F (21 C) water	5.7 kWh per 100 lbs (45.4 kg) ice
Heat rejection	5000 BTU/hr
Water consumption	12.6 gal (47.7 L) of potable water per 100 lbs (45.4 kg) of ice
Approximate ship weight	199 lb (90 kg)
NOTE: For indoor use only	

SHORT FORM SPECIFICATION: (Choose one) \_\_\_ Ice and water or \_\_\_ ice-only dispenser to be Follett® automatic load in countertop configuration, with 12 lbs (5.4 kg) of storage and separate ice and water chutes. Dispenser cabinet to be of stainless steel. Environmentally responsible R404a air-cooled ice machine to have 24 hour production capacity of approximately 400 lbs (181 kg) of Chewblet compressed nugget ice at water temp. of 70 F (21 C); air temp. of 90 F (32 C). Ice machine to be equipped with printed circuit board and diagnostics to allow simplified servicing. Dispenser to have automatic bin level control to start and stop ice machine. Storage area to be insulated with non-CFC, high density, foamed-in-place polyurethane. 8.5' (2.6 m) cord and NEMA 5-20 90° hospital-grade plug provided (220 V/230 V models, cord only). Dispenser to be NSF, UL and cUL listed. 230 V models also CE compliant.

## Dimensional drawing



Note: See dispenser detail, form # 2075 for counter cutouts

Agion is a registered trademark of Sciessent LLC.

- 1 Independent third party studies. Contact Follett for details.
- 2 Disclaimer: Antimicrobial protection is limited to the treated components and does not treat water or ice.

Symphony, SensorSAFE and SafeCLEAN are trademarks of Follett Corporation.

Chewblet and Follett are registered trademarks of Follett Corporation, registered in the US.

Follett reserves the right to change specifications at any time without obligation. Certifications may vary depending on country of origin.